

TECH
SPEC

IC-20

IC-20-1A As per BMC



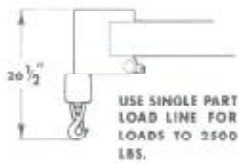
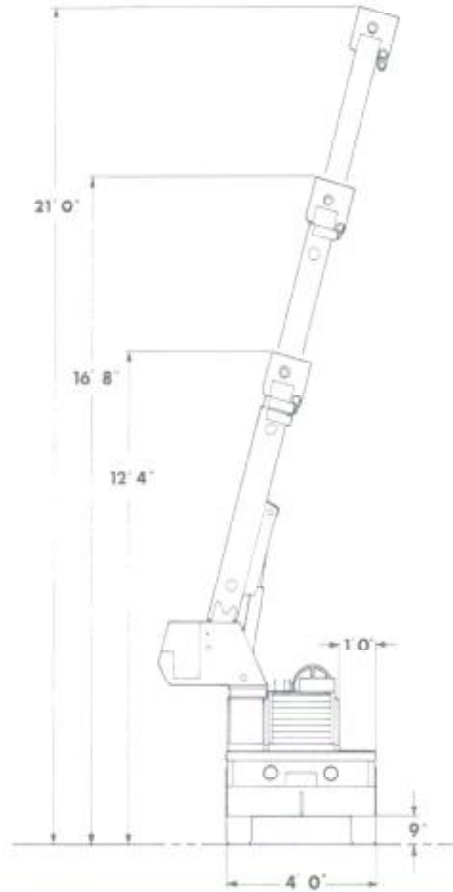
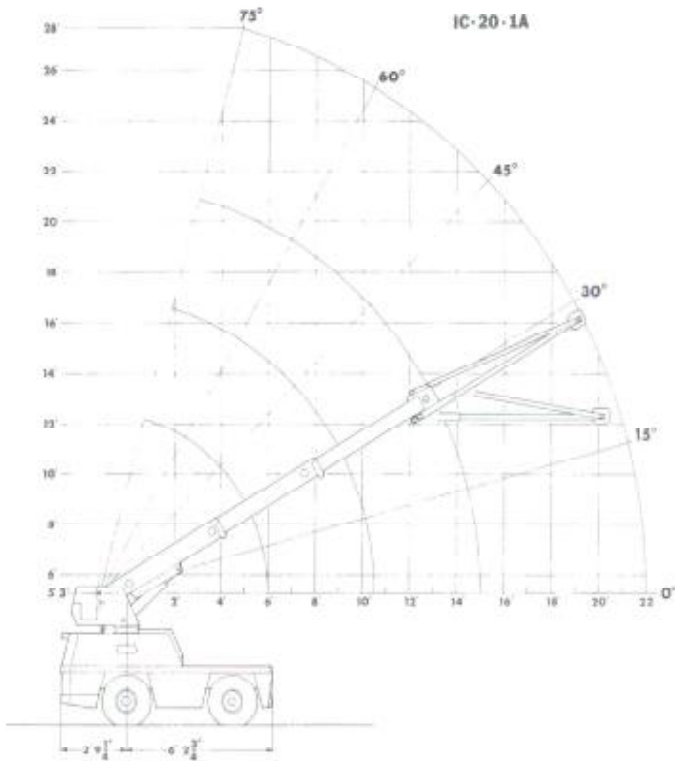
AT A GLANCE:

- Built tough to work tough in industrial applications where an operator wants pin point control and placement of loads to 2½ tons.

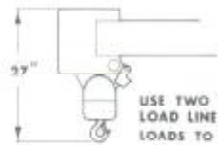
bmc BRODERSON
Manufacturing Corp.

P.O. Box 14770, Lenexa, Kansas 66215 • (913) 888-0606

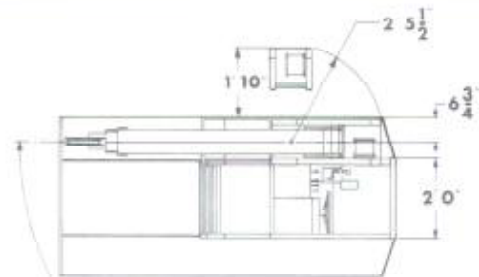
IC-20



USE SINGLE PART LOAD LINE FOR LOADS TO 3500 LBS.

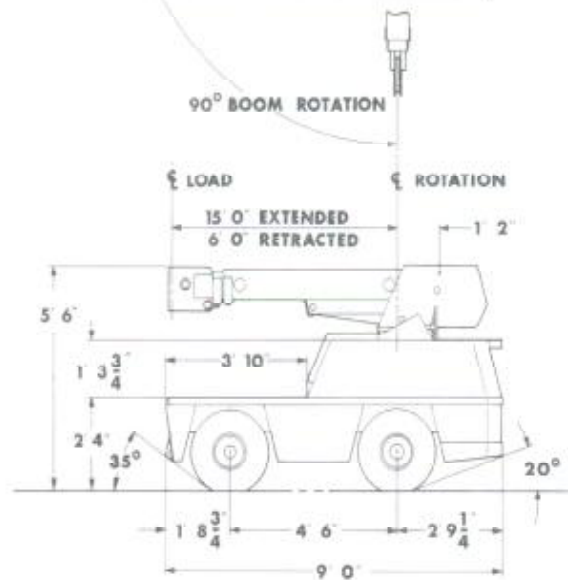


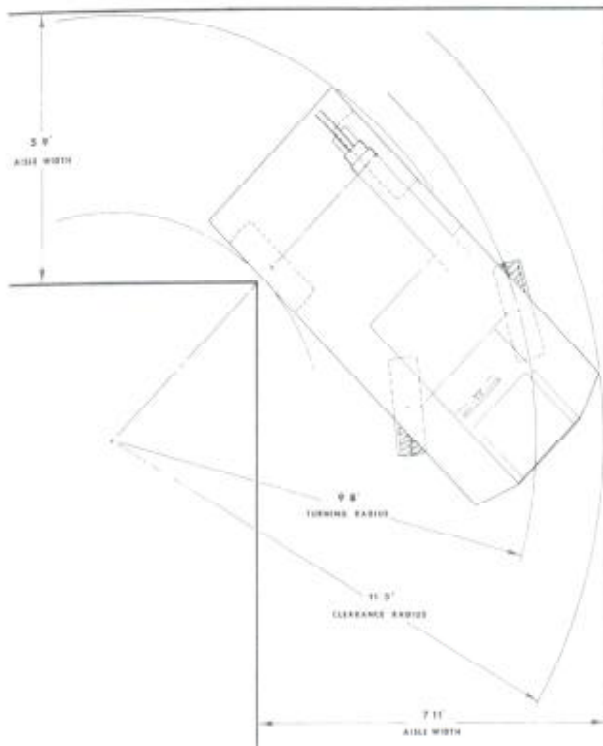
USE TWO PART LOAD LINE FOR LOADS TO 5000 LBS.



ALL CAPACITIES FOR 90° SWING

LOAD RADIUS FEET	3-SECTION BOOM	7 FT. JIB INSTALLED	
		IN-LINE	30° OFFSET
4	5000	1300	
5	4000	1100	
6	3000	900	750
8	2250	750	650
10	1400	550	550
12	1025	500	500
15	725	500	500
17		500	500
19		500	500
22		390	





General:

Weight - 5,600 lbs.
 Travel Speed - 0 to 6 MPH
 Drawbar pull - 2,800 lbs
 Turning Radius (C/L of outside steering wheel) 9'8" Aisle width for 90° turn 7'11"

Engine:

	Std.	Opt.
Make	Continental	Kubota
Model	Y112	V-1902-B
Type	Gas	Diesel
No. Cyl.	4	4
Displacement	112	113.6
HP @ Governed speed	36 HP	40 HP

Electrical:

12 volt system
 Lighting group - 1 pair headlights
 Instrument group - Fuel, ammeter, oil pressure, water temperature, oil filter pressure, gauges and hourmeter

Fuel Tank:

13.5 gal. capacity

Hydrostatic pump:

Cessna piston type 2.48 CID/Rev direct driven from engine crankshaft.

Axles:

Drive axle — Location-Front
 Contains Fairfield torque hubs and Ross Hydraulic drive motors
Steering axle — Location-Rear

Steering:

Full hydraulic orbitrol unit with one double acting, 2 1/2" cylinder attached to rear axle.

Tires:

Standard - 7.50X10 Pneumatic
Optional - Solid rubber "Grizzley Supersoft" SG 36

Brakes:

Hand/Foot actuated parking brake build into each torque hub to hold crane when not being driven

Cargo Deck:

20 sq. ft. deck area. 5,000 pounds capacity

Hydraulic System:

Tandem pump mounted to rear of hydrostatic piston pump. Delivers 5 and 15 GPM at rated R.P.M.
 Hydraulic oil tank capacity - 9.5 gal. capacity.

Crane:

Boom Movement

Rotation 90°
 Elevation 0° to 75°
 Extension 6' to 15' (9 ft.)

Boom Speeds

Rotation 90° in 10 sec.
 Elevation 11 seconds
 Extension 28 seconds

Boom Assembly

Three section boom assembly equipped with bearing pads, double-acting hydraulic cylinders equipped with direct connected holding valves and boom angle indicator on left side of boom

Boom Swing

Two double acting hydraulic cylinders connected to turntable torque tube provides 90° rotation. Heavy-duty ball bearing rotation bearing.

Boom Winch

Turret-mounted
 Hydraulic powered
 Bare drum line pull of 3,100 lbs.
 Winch line speed 46 ft. per minute
 80 ft. of 5/16 wire rope, downhaul weight and swivel hook, standard

IC-20

Options:

Anti Two Block Device

Prevents damage to hoist rope and/or crane components from pulling load hook against boom tip.

Auxiliary Winch

Mounted behind front bumper, hydraulically driven with control in operators console.

Back-Up Alarm

Provides pulsating sound when transmission is in reverse

Bucket Brake

Friction brake for holding fiberglass bucket in a fixed position.

Boom Swing Lock

Prevents boom from being swung in normal 90° arc. Includes padlock.

Fiberglass Bucket

24" X 24" X 42" deep personnel bucket with maximum capacity of 300 pounds.

Sheave Block

Required for maximum capacity lifts.

7 Ft. Pin on Jib

Consists of Jib with pair of tension bars, tip sheave, cable keeper, pins, jib attaching pins. Tension bars provide two positions: in-line and 30° offset.

LP Gas Fuel System Kit

Contains all necessary components for LPG operation. Dual fuel also available.

Operators Guard

Tubular steel weldment with heavy expanded steel mesh top section. Overhead height with guard installed 90".

Pintle Hook

Holland "T-60-A" pintle hook mounted on rear frame. 5 ton capacity.

Lifting Sling Kit

Three leg hitch, consisting of heavy duty pear link, 3 wire ropes with swaged on clevis ends. Two flush mounted lifting rings on load deck corners and heavy duty lift eye attached to turret.



BMC BRODERSON
Manufacturing Corp.

P.O. Box 14770, Lenexa, Kansas 66215 • (913) 888-0606